

Handrail Light – Spot III

The Spot III is a sleek 1.5W LED handrail luminaire designed for seamless integration into round handrails. Offering both symmetric (60°) and asymmetric (80°) beam options, it delivers up to 131 lumens with Cree LEDs and high CRI (>90). Available in 3000K and 4000K color temperatures, the handrail is housed in corrosion-resistant SS316 for high durability. Rated IP67 and IK10, it's ideal for outdoor, public, and architectural applications. Featuring Ø27mm mounting, optional DMX control, and a 3-year warranty, it's perfect for stairs, railings, and pathways.

FEATURES AND BENEFITS:

- ✓ Symmetric and asymmetric beam angles
- ✓ High-performance Cree LED with CRI>90
- ✓ Supports DMX
- ✓ IP67 and IK10 rated for harsh outdoor and public environments
- ✓ Low voltage operation (DC24V)
- ✓ 3-year manufacturer warranty

APPLICATION:

- ❖ Staircase and ramp handrail lighting
- ❖ Pathway and corridor illumination
- ❖ Public infrastructure and transport terminals
- ❖ Commercial and residential balustrades
- ❖ Outdoor railings in parks, hotels, and resorts
- ❖ Accessibility lighting for aged care and health facilities
- ❖ Coastal and marine installations



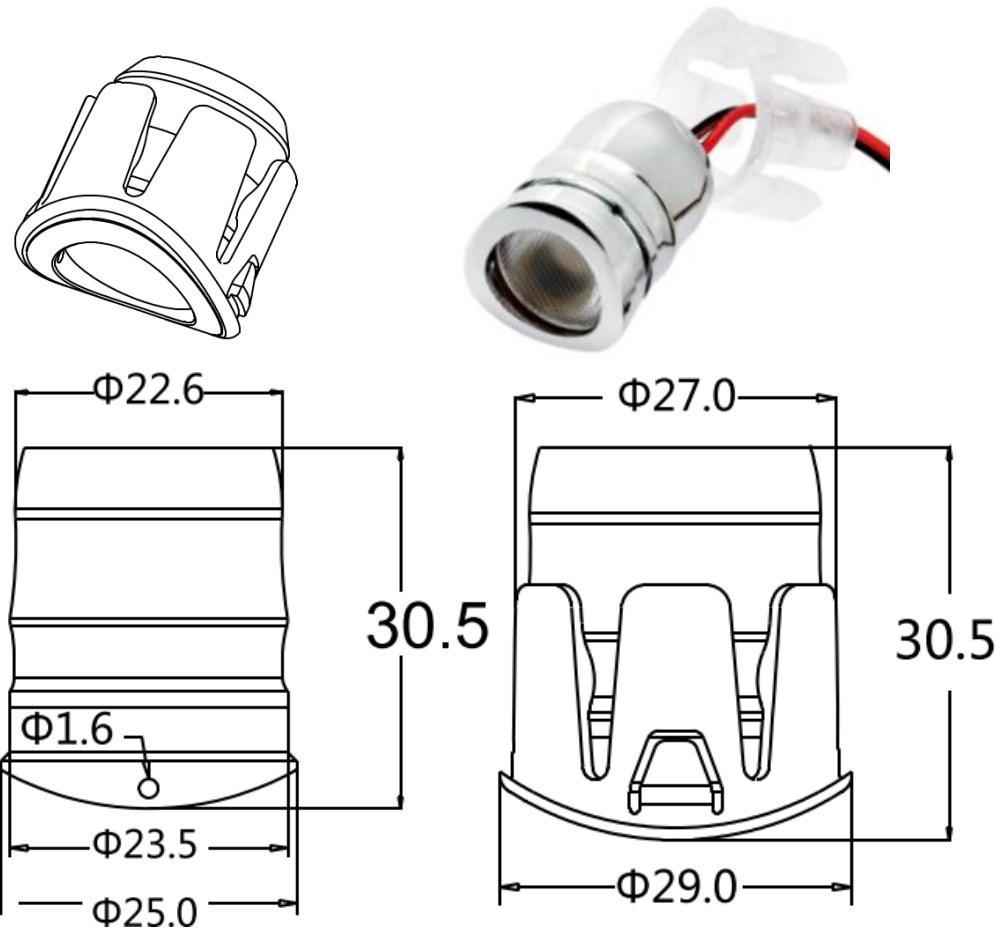
Compatible Round Handrails

- Ø48mm-63mm, wall thickness: 1.0mm~1.5mm

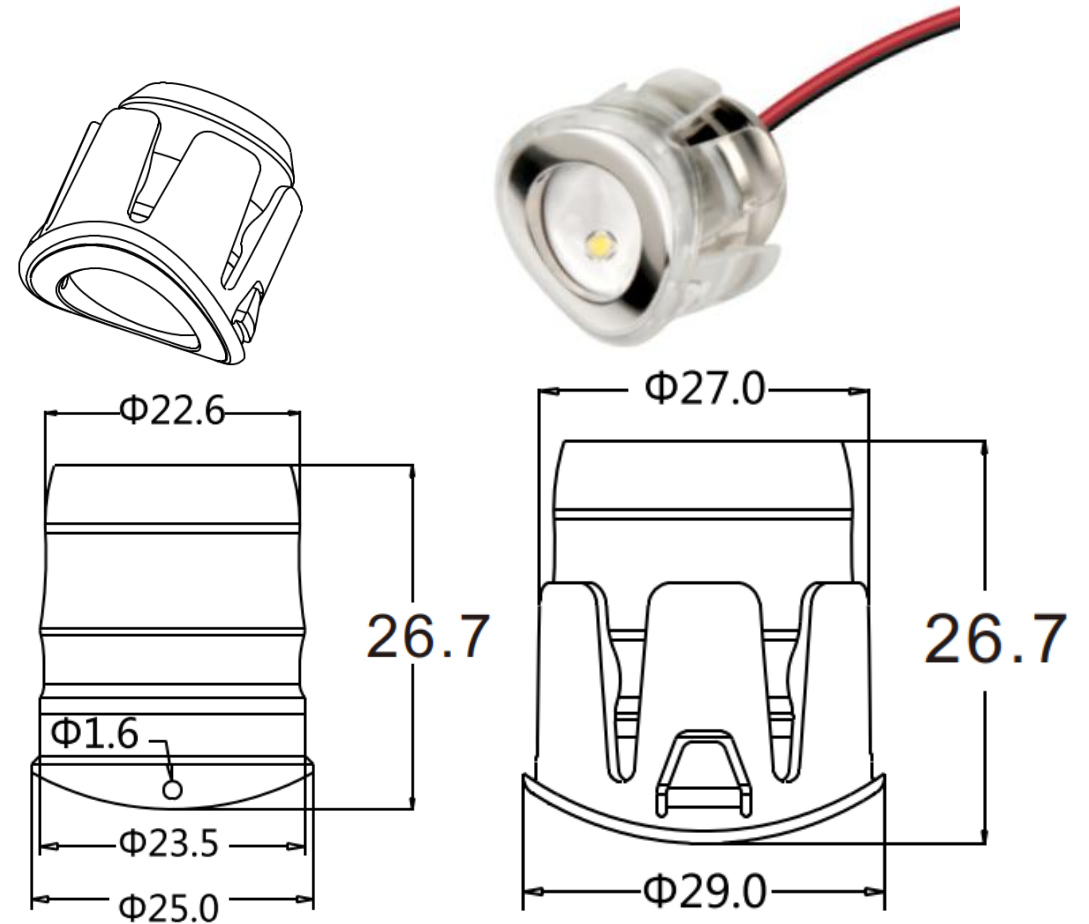


CE, RoHS

SYMMETRIC DIMENSIONS:



ASYMMETRIC DIMENSIONS:

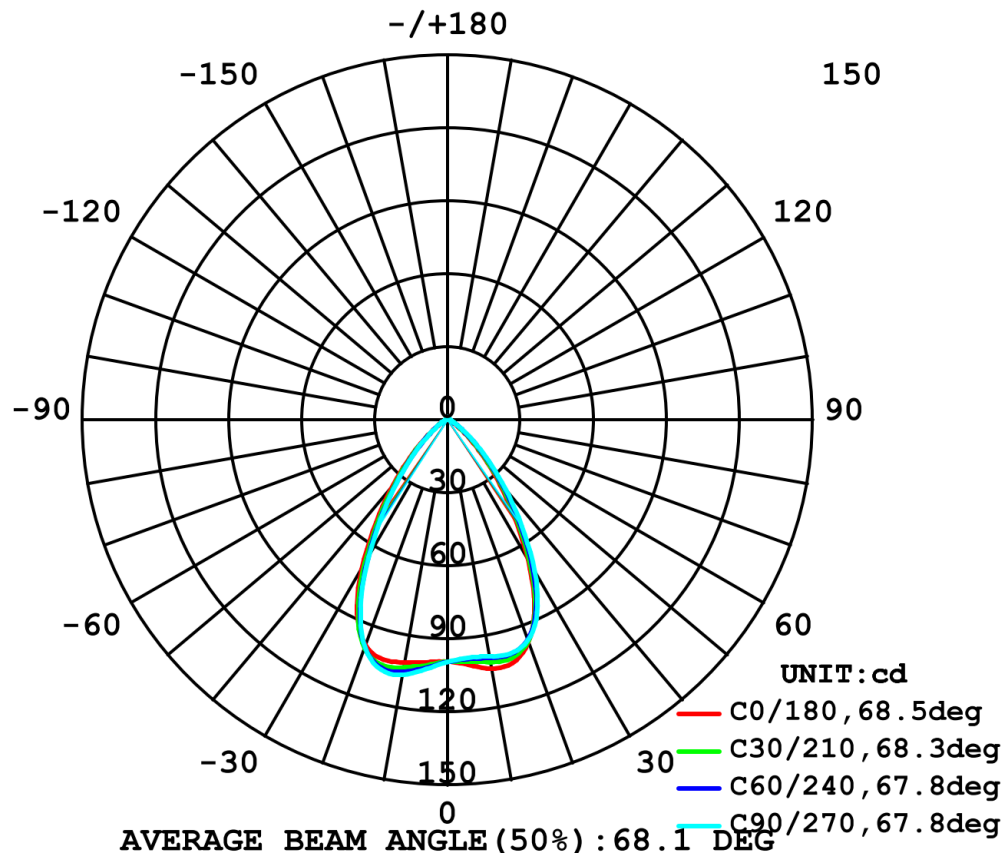


Azooogi Product Code	HRS021	HRS022	HRS023	HRS024
Beam Angle	Sym 60°		Asym 80°	
Size	Ø29mm x H30.5mm		Ø18mm x H26.7mm	
Hole	Ø27mm			
Input Voltage	DC24V			
Power	1.5W			
LED Brand	CREE			
Colour Temperature	3000K	4000K	3000K	4000K
CRI	CRI>90			
Lumens	120lm	126lm	125lm	131lm
Dimmable	No			
DMX	Yes			
IP Rating & IK Rating	IP67 & IK10			
Lens Material	PMMA			
Housing	SS316			
Temperature	-20°C ~ 45°C			
Lifetime (Lm80)	50,000Hrs			
Max Load	35 pcs by 100W DC24V driver (no brightness drop, assume 1m distance per pc)			
Warranty	3 Years			

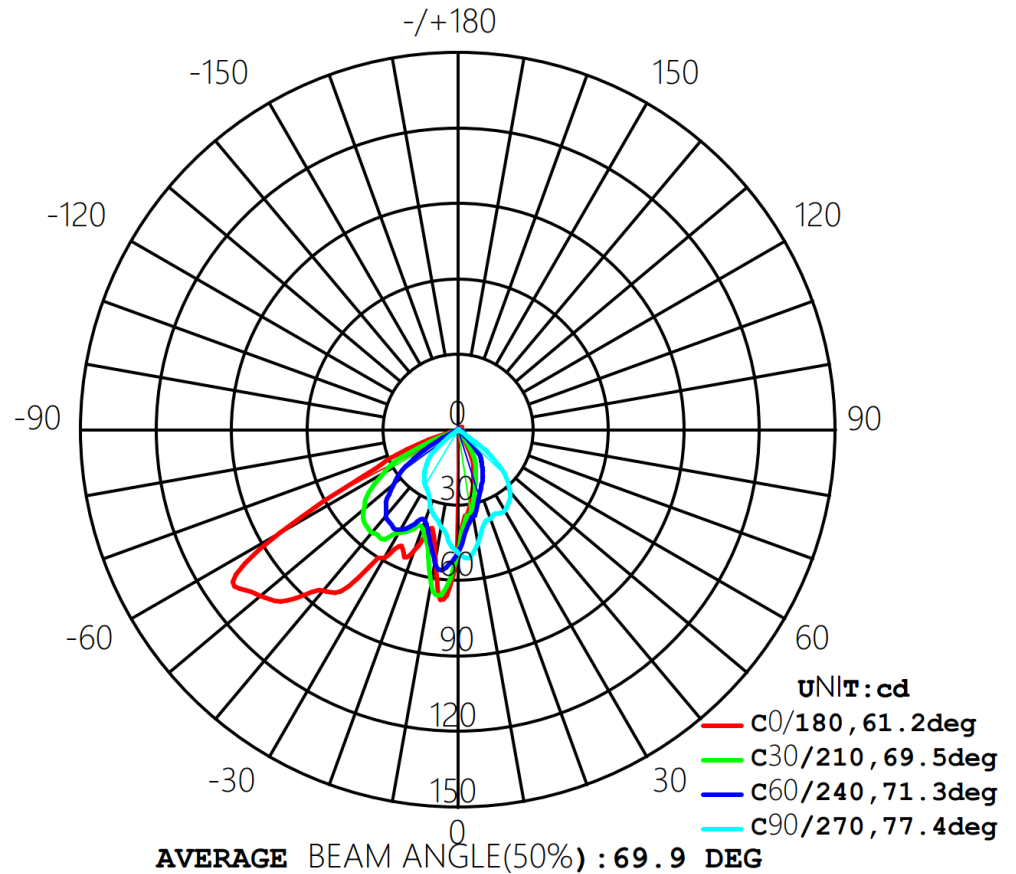
PRODUCT PHOTOS:



LUMINOUS INTENSITY DISTRIBUTION CURVE (SYMMETRIC):



LUMINOUS INTENSITY DISTRIBUTION CURVE (ASYMMETRIC):

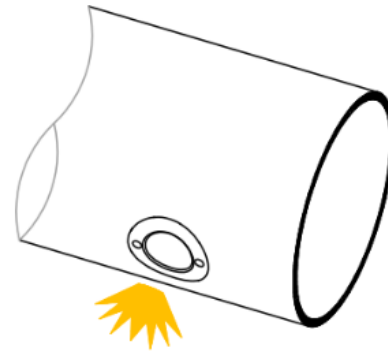


ROUND HANDRAIL COMPATIBILITY:

To ensure proper installation, the handrail must meet the following size and wall thickness requirements:

- Ø48mm-63mm diameter
Wall thickness: 1.0mm-1.5mm

⚠ Ensure the handrail material and thickness provide enough structural integrity to support the luminaire securely.



INSTALLATION:

Step 1: Drill Mounting Hole

Use a hole saw or a suitable drill bit to create a **Ø27mm** hole at the desired location on the handrail.

Step 2: Insert Mounting Clip

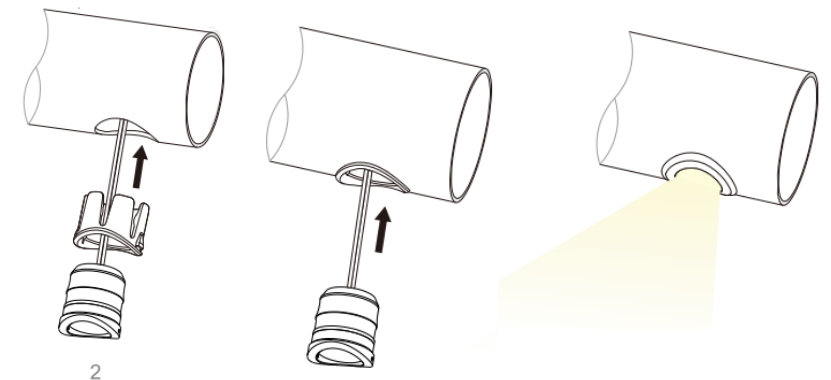
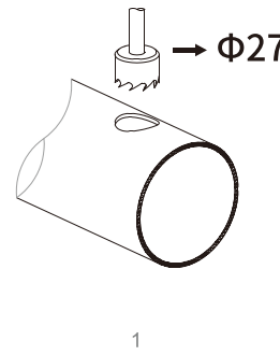
Feed the mounting clip or sleeve into the hole from underneath the handrail, ensuring a snug fit.

Step 3: Install Light Fitting

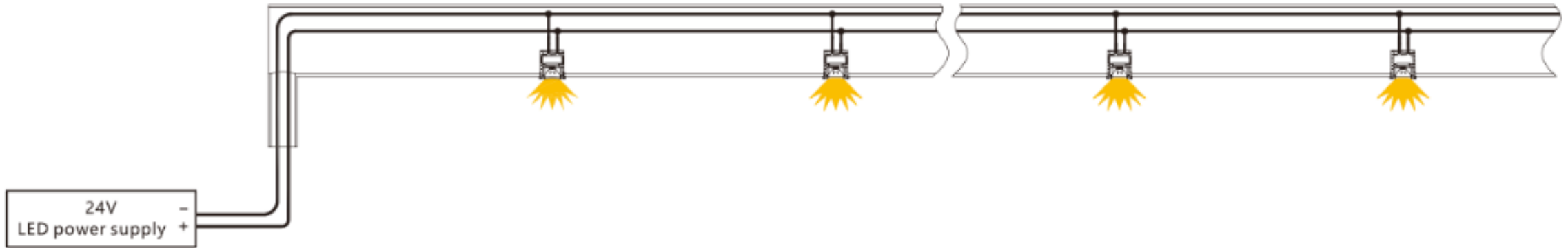
Insert the luminaire through the clip, guiding the cable through the handrail carefully.

Step 4: Final Adjustment

Push the fitting fully into place. The fixture will sit flush with the handrail surface and emit light as intended.



WIRING DIAGRAM:



This handrail lighting setup is designed to run on 24V DC constant voltage, with all luminaires wired in parallel inside the handrail and powered by a remote LED driver.

Connection Overview:

▪ Power Supply:

1. Use a suitable 24V DC constant voltage LED driver (ordered separately).
2. Connect the positive (+) and negative (-) outputs of the driver to the internal wiring of the handrail.

• Fixture Connection:

1. Each handrail light connects in parallel to the internal circuit.
2. Ensure proper polarity to maintain consistent performance and avoid damage to the LEDs.

⚠ Important: Confirm total load does not exceed the rated capacity of the driver. Use the correct cable gauge for extended runs.