

Handrail Light – Spot II

The Spot II is a compact 1.5W LED handrail luminaire designed for clean integration into round handrails. Powered by DC24V, it delivers up to 106 lumens with high-efficiency Cree LEDs and CRI >90. Available in 3000K and 4000K color temperatures, it offers symmetric (30°/60°) and asymmetric (50°) beam distributions for versatile lighting effects. Housed in corrosion-resistant SS316 with a PMMA lens, it's rated IP67 and IK10 for performance in harsh environments. With a Ø20mm mounting hole and a 3-year warranty, Spot II is ideal for staircases, railings, and public pathways.

FEATURES AND BENEFITS:

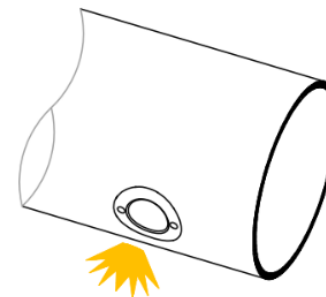
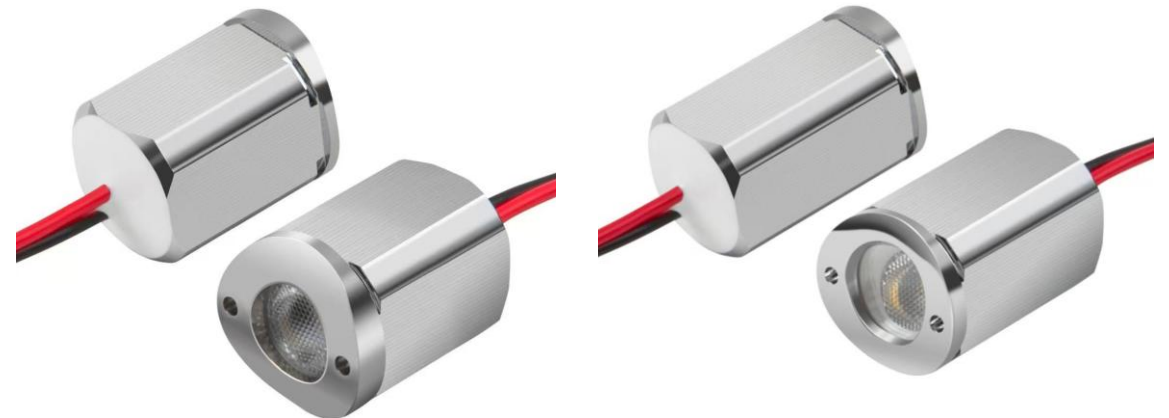
- ✓ Symmetric and asymmetric beam angles
- ✓ High-performance Cree LED with CRI>90
- ✓ IP67 and IK10 rated for harsh outdoor and public environments
- ✓ Low voltage operation (DC24V)
- ✓ 3-year manufacturer warranty

APPLICATION:

- ❖ Staircase and ramp handrail lighting
- ❖ Pathway and corridor illumination
- ❖ Public infrastructure and transport terminals
- ❖ Commercial and residential balustrades
- ❖ Outdoor railings in parks, hotels, and resorts
- ❖ Accessibility lighting for aged care and health facilities
- ❖ Coastal and marine installations



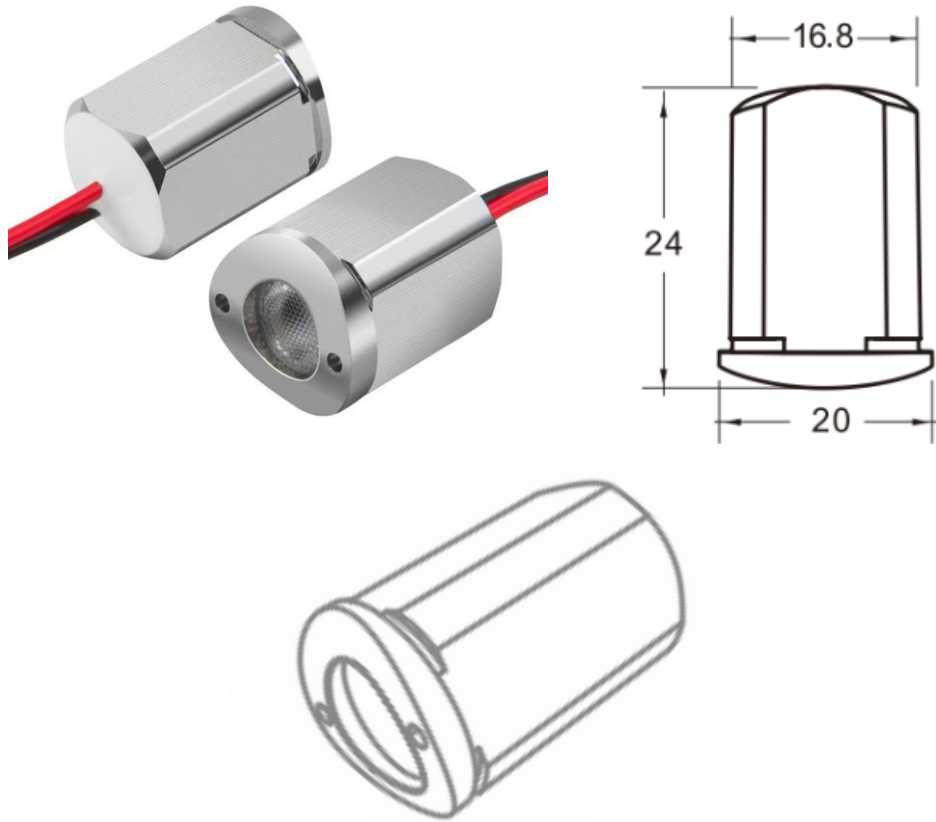
CE, RoHS



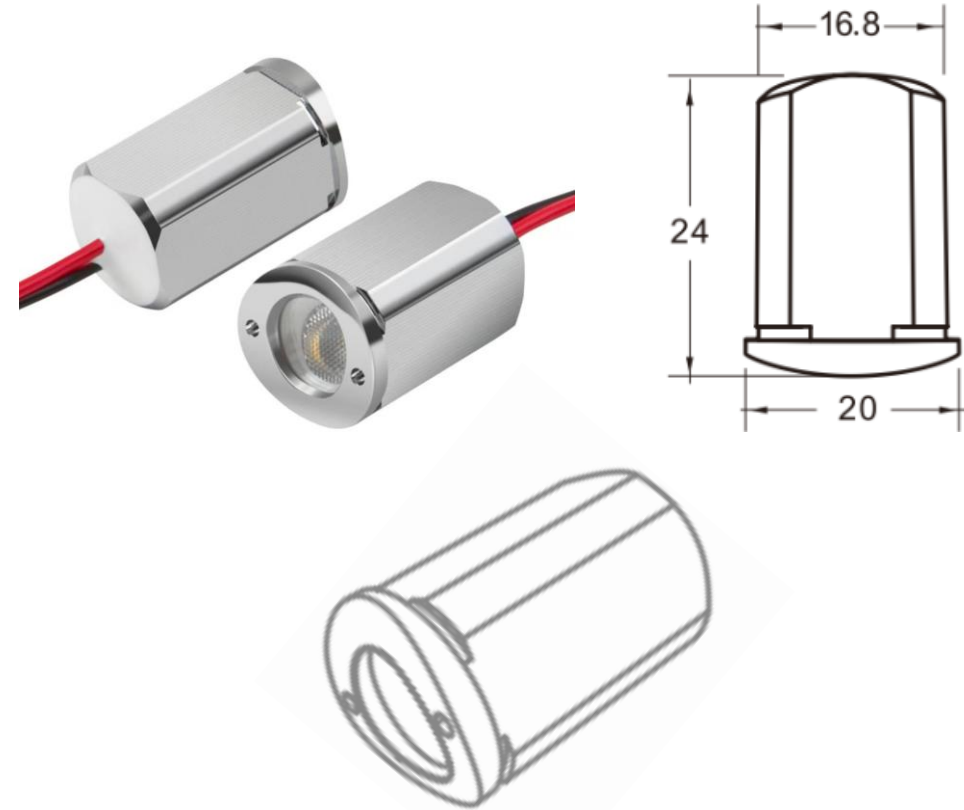
Compatible Round Handrails

- Ø38mm, wall thickness: 1.6mm

SYMMETRIC DIMENSIONS:

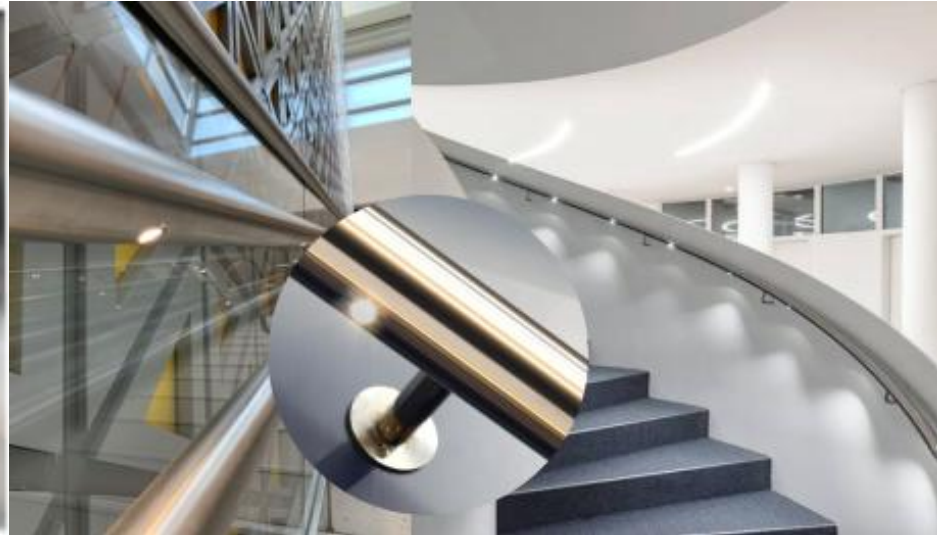


ASYMMETRIC DIMENSIONS:

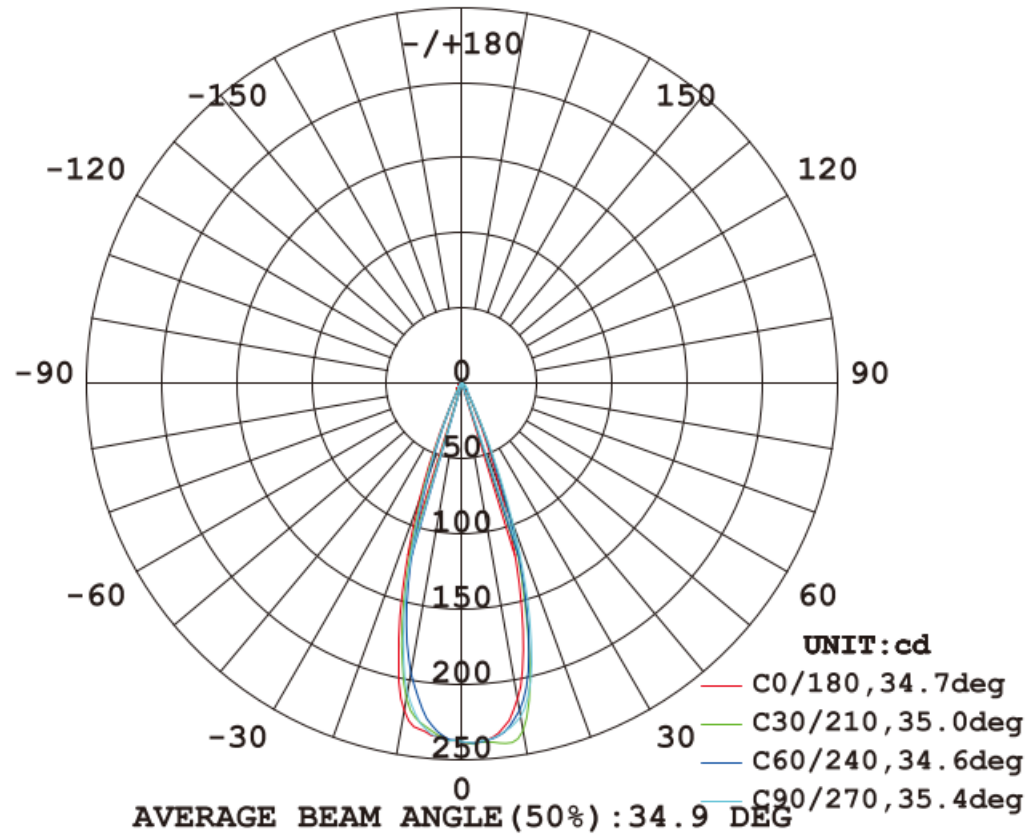


AzooGi Product Code	HRS011	HRS012	HRS013	HRS014	HRS015	HRS016
Beam Angle	Sym 30°		Sym 60°		Asym 50°	
Size	Ø20mm x H24mm					
Hole	Ø20mm					
Input Voltage	DC24V					
Power	1.5W					
LED Brand	CREE					
Colour Temperature	3000K	4000K	3000K	4000K	3000K	4000K
CRI	CRI>90					
Lumens	102lm	106lm	102lm	106lm	93lm	97lm
Dimmable	No					
DMX	No					
IP Rating & IK Rating	IP67 & IK10					
Lens Material	PMMA					
Housing	SS316					
Temperature	-20°C ~ 45°C					
Lifetime (Lm80)	50,000Hrs					
Max Load	30 pcs by 100W DC24V driver (no brightness drop, assume 1m distance per pc)					
Warranty	3 Years					

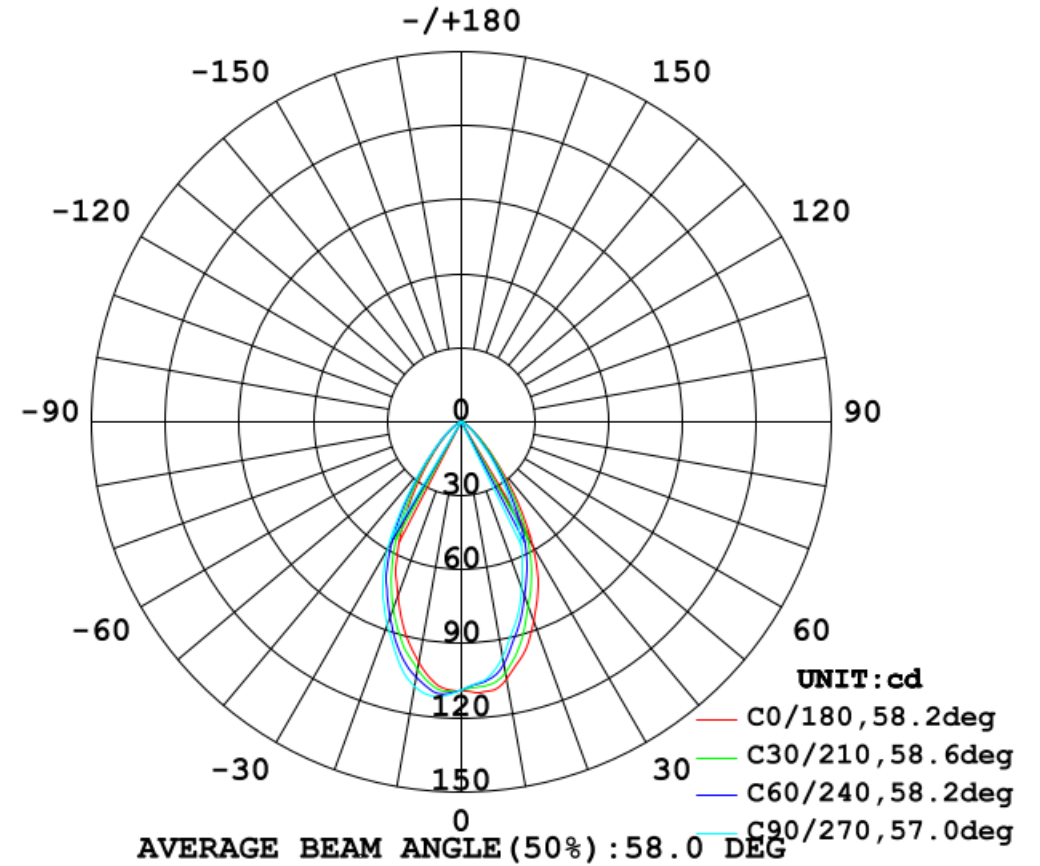
PRODUCT PHOTOS:



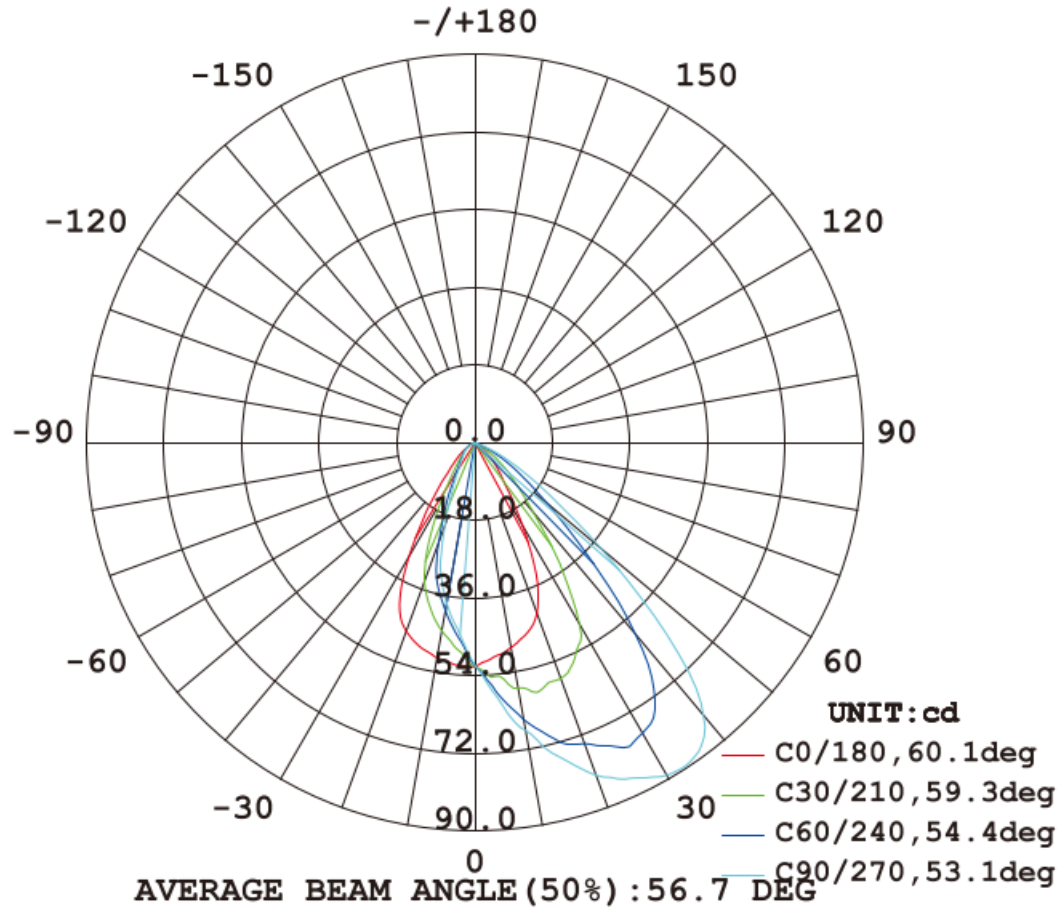
LUMINOUS INTENSITY DISTRIBUTION CURVE (SYMMETRIC 30°):



LUMINOUS INTENSITY DISTRIBUTION CURVE (SYMMETRIC 60°):



LUMINOUS INTENSITY DISTRIBUTION CURVE (ASYMMETRIC 50°):

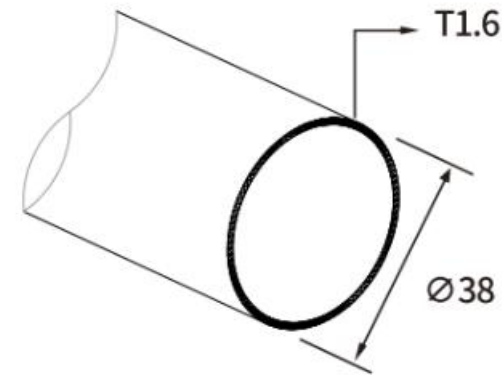


ROUND HANDRAIL COMPATIBILITY:

To ensure proper installation, the handrail must meet the following size and wall thickness requirements:

- Ø38mm diameter
Wall thickness: 1.6mm

⚠ **Ensure the handrail material and thickness provide enough structural integrity to support the luminaire securely.**



INSTALLATION:

Step 1: Rotate the locking ring to loosen or unlock the internal mechanism.

Step 2: Insert the mounting clip into the pre-drilled hole on the handrail.

Step 3: Press the clip down fully until it snaps securely into place.

Step 4: Ensure the clip is flush with the handrail surface.

Step 5: Insert the alignment tool to confirm correct orientation.

Step 6: Detach the alignment tool from the clip and prepare the luminaire.

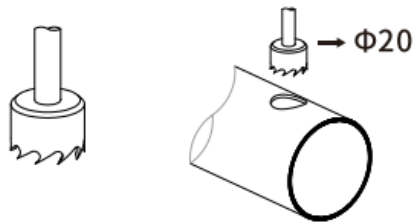
Step 7: Align the luminaire's internal pins with the slot in the clip.

Step 8: Ensure the pins fit snugly inside the mounting clip.

Step 9: Carefully route the power cable through the clip opening.

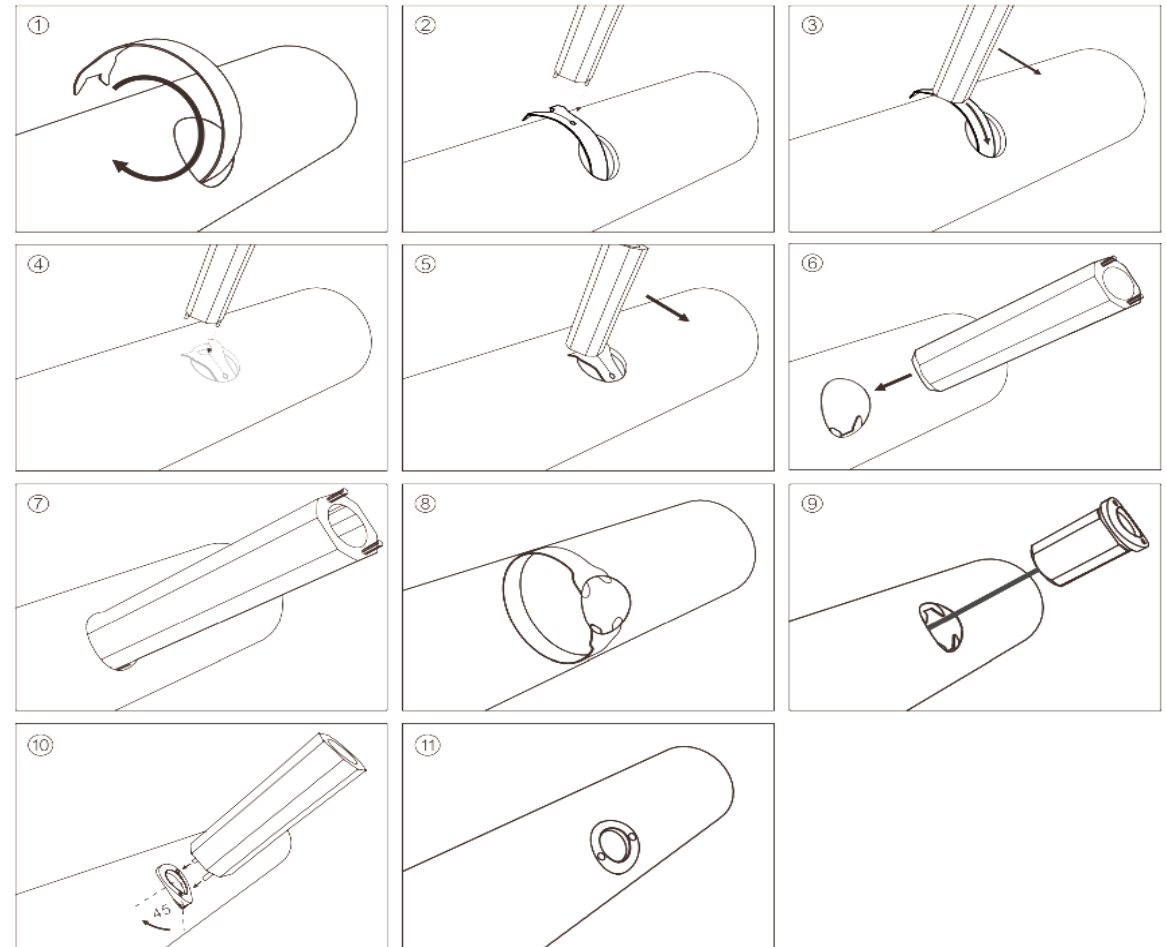
Step 10: Insert the luminaire at a **45° angle**, then twist to lock into place.

Step 11: Verify the luminaire is flush, aligned, and securely installed.

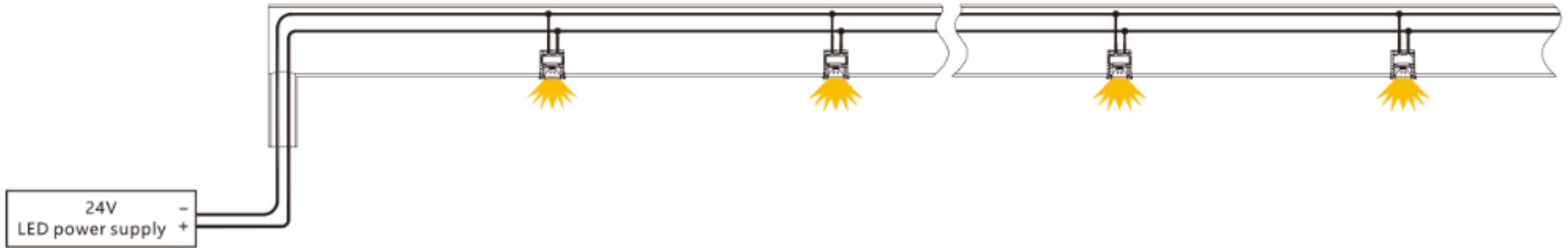


HOLE SAW

Hole saw suitable for handrail thickness < 3mm,
300-700RPM, can be used not more than 20 times



WIRING DIAGRAM:



This handrail lighting setup is designed to run on DC24V constant voltage, with all luminaires wired in parallel inside the handrail and powered by a remote LED driver.

Connection Overview:

- **Power Supply:**
 1. Use a suitable DC24V constant voltage LED driver (ordered separately).
 2. Connect the positive (+) and negative (-) outputs of the driver to the internal wiring of the handrail.

- **Fixture Connection:**
 1. Each handrail light connects in parallel to the internal circuit.
 2. Ensure proper polarity to maintain consistent performance and avoid damage to the LEDs.

⚠ Important: Confirm total load does not exceed the rated capacity of the driver. Use the correct cable gauge for extended runs.