

PR126 (Harmony)

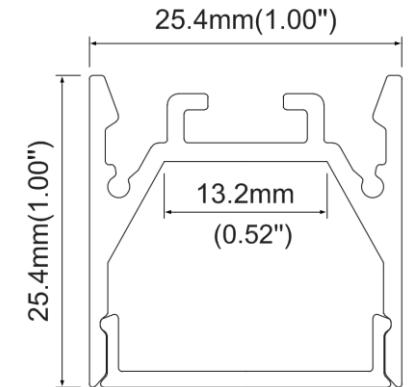
PR126 or Harmony aluminium profile is a robust, square-shaped lighting channel designed to house LED strips for seamless and modern lighting installations. With its generous dimensions of 25.4mm x 25.4mm, this profile is ideal for applications requiring a bold and uniform light output. Crafted from high-quality extruded aluminium, it offers excellent heat dissipation and durability, ensuring the longevity of your LED strips.

Applications:

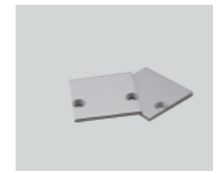
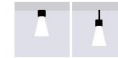
- ✓ Architectural Lighting
- ✓ Retail Displays
- ✓ Residential Spaces
- ✓ Commercial Projects

Datasheet:

Product Code	PR126 (Harmony)
Dimensions	25.4mm x 25.4mm
Installation	Surface Mounted / Suspended
Material	Aluminium
Length	3m or Custom cut lengths up to 3m
Finish	Anodised Aluminium / Black / Custom Power coated
Diffuser Material	PC
Accessories	Metal Mounting clips (2 per meter), a pair of endcaps included and steel wire (2 per meter)
Warranty	5 Years



Types of installation:



End Cap With hole
End Cap without hole



Steel Wire



PC Frosted Diffuser



Mounting clip (metal)